

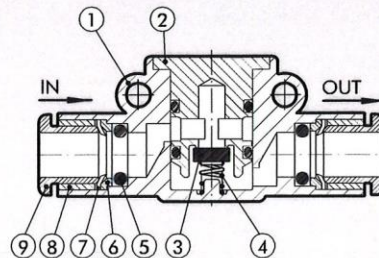
The VNR L check valve belongs to the LINE ON LINE® family, which means it can be connected to all the other components in series or in parallel. Available in the version for pipe-pipe connection with two push-in fittings, and in the version for thread-pipe connection with a brass nickel-plated male thread and a push-in fitting. It is still the only check valve with holes for wall mounting.



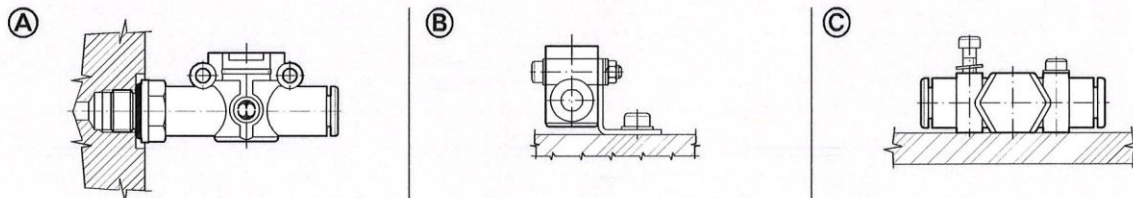
TECHNICAL DATA		Ø 4	Ø 6	Ø 8
Operating pressure	MPa		0.05 - 1.2	
	bar		0.5 - 12	
	psi		7.2 - 174	
Temperature range	°C		-20 to +60	
	°F		-4 to +140	
Flow rate at 6.3 bar ΔP 1 bar	Nl/min	80	320	480
Recommended pipe Fluid		Rilsan PA11 - Nylon 6 - Polyamide 12 - Polypropylene Lubricated or unlubricated filtered compressed air		

### COMPONENTS

- ① Technopolymer body
- ② Nickel-plated brass insert
- ③ NBR valve
- ④ Stainless steel valve compression spring
- ⑤ NBR gasket
- ⑥ Technopolymer spring ring
- ⑦ Stainless steel folding spring
- ⑧ Technopolymer locking bushing
- ⑨ Technopolymer release bushing



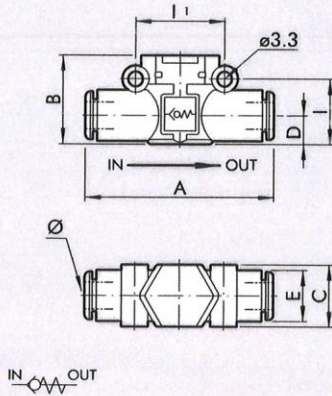
### ASSEMBLY OPTIONS



How to mount the VNR L:

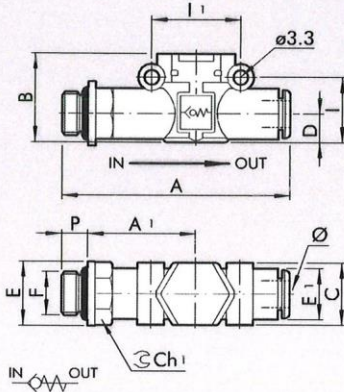
- Fig. Ⓐ With the male threaded port it is possible to mount the VNR L straight onto the female thread.
- Fig. Ⓑ Fixing to the plate with the special SQU L bracket.
- Fig. Ⓒ There are two robust rings on the plastic body for fixing the VNR L straight onto the wall.

### VNR L PIPE-PIPE



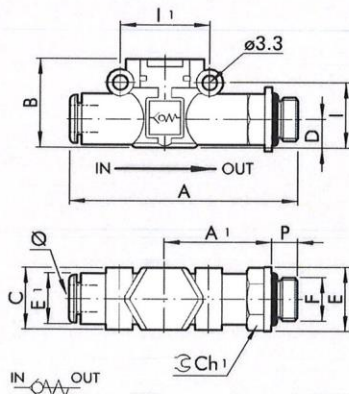
Code	Ref.	Ø	A	B	C	D	E	I	II
440-4	VNR L 4-4	4	41.8	17.5	10.7	5.6	10	12.8	16
440-6	VNR L 6-6	6	49.4	20	14.7	6.4	11.4	14.6	20
440-8	VNR L 8-8	8	57.3	25.5	18.7	9.1	13.8	18.7	24

### VNR L THREAD-PIPE



Code	Ref.	F	Ø	P	A	A1	B	C	E	E1	I	II	Ch1
441.005-4	VNR L M5-4	M5	4	4	47.7	22.7	17.5	10.7	9.9	10	12.8	16	9
441.018-4	VNR L 1/8-4	1/8	4	6	50.6	24.6	17.5	10.7	14	10	12.8	16	12
441.018-6	VNR L 1/8-6	1/8	6	6	58.5	27.8	20	14.7	14	11.4	14.6	20	12
441.014-6	VNR L 1/4-6	1/4	6	8	61.5	28.8	20	14.7	18	11.4	14.6	20	14
441.018-8	VNR L 1/8-8	1/8	8	6	66.2	31.8	25.5	18.7	15	13.8	18.7	24	14
441.014-8	VNR L 1/4-8	1/4	8	8	70.6	34.2	25.5	18.7	18	13.8	18.7	24	14
441.038-8	VNR L 3/8-8	3/8	8	9	72.2	34.8	25.5	18.7	22	13.8	18.7	24	17

### VNR L PIPE-THREAD



Code	Ref.	Ø	F	P	A	A1	B	C	E	E1	I	II	Ch1
442.005-4	VNR L 4-M5	4	M5	4	47.7	22.7	17.5	10.7	9.9	10	12.8	16	9
442.018-4	VNR L 4-1/8	4	1/8	6	50.6	24.6	17.5	10.7	14	10	12.8	16	12
442.018-6	VNR L 6-1/8	6	1/8	6	58.5	27.8	20	14.7	14	11.4	14.6	20	12
442.014-6	VNR L 6-1/4	6	1/4	8	61.5	28.8	20	14.7	18	11.4	14.6	20	14
442.018-8	VNR L 8-1/8	8	1/8	6	66.2	31.8	25.5	18.7	15	13.8	18.7	24	14
442.014-8	VNR L 8-1/4	8	1/4	8	70.6	34.2	25.5	18.7	18	13.8	18.7	24	14
442.038-8	VNR L 8-3/8	8	3/8	9	72.2	34.8	25.5	18.7	22	13.8	18.7	24	17



**Summary Art. No.:**

Type No.	Art. No.
440-4	106802
440-6	106803
440-8	106804
441.005-4	106805
441.018-4	106806
441.018-6	106807
441.018-8	106808
441.014-6	106809
441.014-8	106810
441.038-8	106811
442.005-4	106812
442.018-4	106813
442.018-6	106814
442.018-8	106815
442.014-6	106816
442.014-8	106817
442.038-8	106818